

TRS OMNI ANTENNA

380 ~ 400 MHz / 0 dBi

TRS-390-PA-01

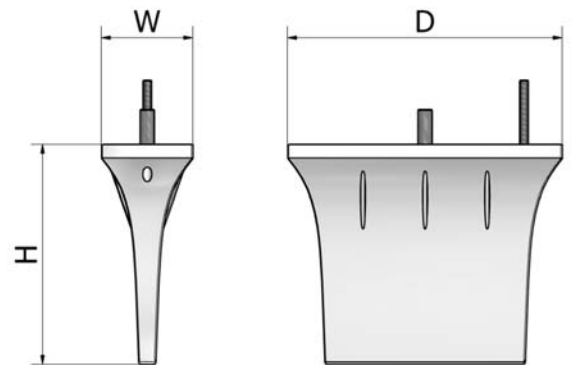
i. Electrical Specification

Frequency Range	380 ~ 400 MHz
Polarization	Omni
Gain	0 dBi
Beam Width	Omni Directional
VSWR	≤ 1 : 2.0
Impedance	50 Ω
Maximum input power	30 W

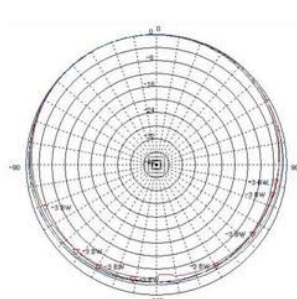


ii. Mechanical Specification

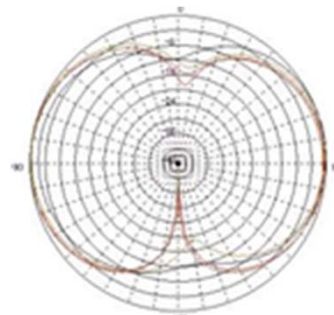
Radom Dimension (H x W x D)	240 x 100 x 300 mm
Weight (Include bracket)	900 g
Connector Type	N – Female
Withstand Wind Pressure	-
Radome Material	ASA, ABS
Radome Color	White
Mechanical Down Tilt	-
Temperature	-40 °C ~ 70 °C
Packing Size (H x W x D) 50SET	-
Packing Weight	-



iii. Radiation Pattern



Horizontal Pattern



Vertical Pattern